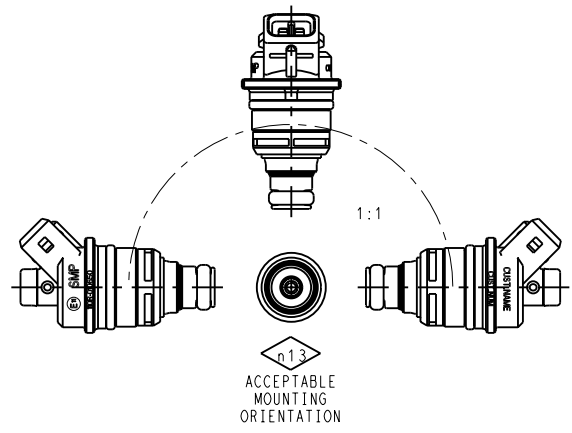
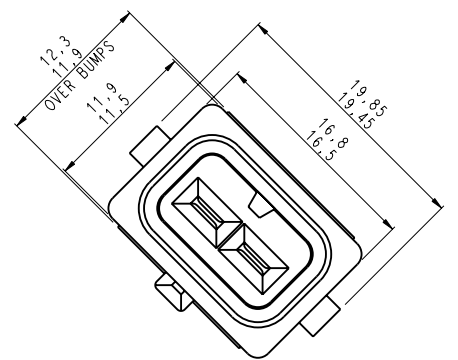
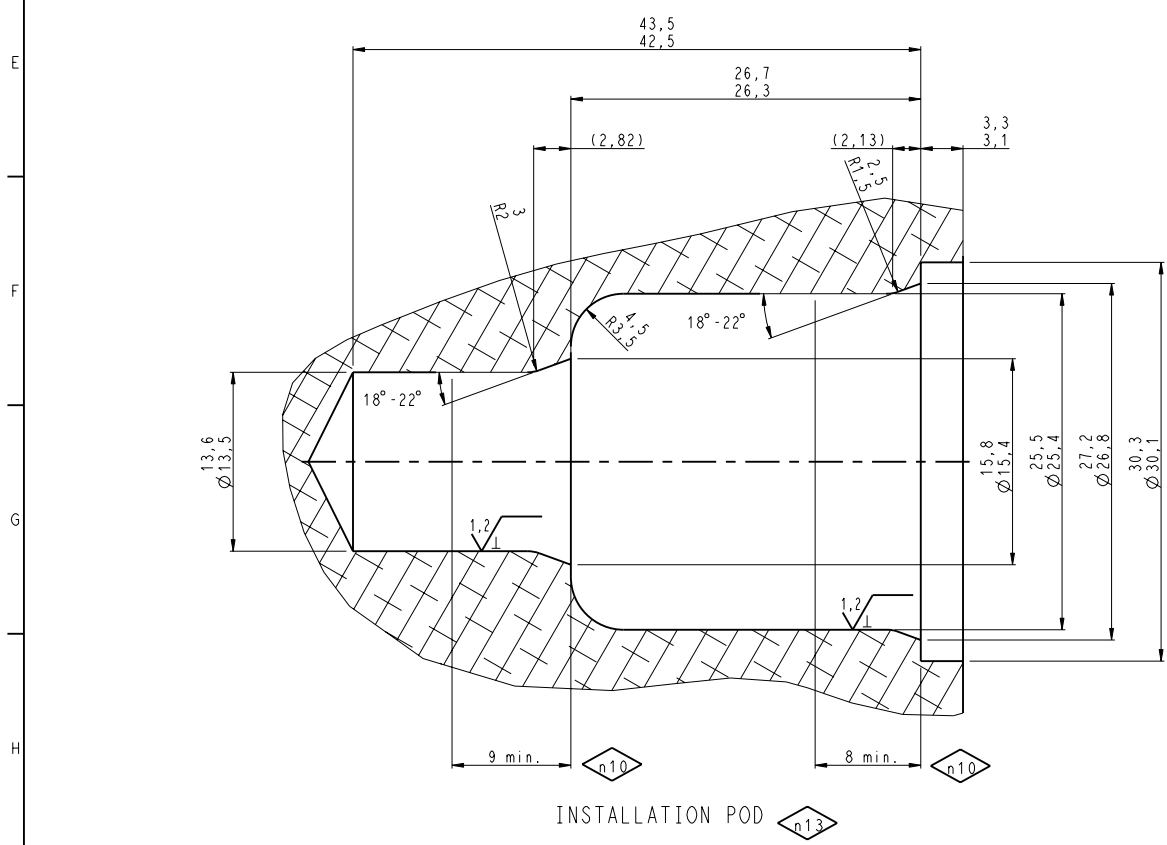
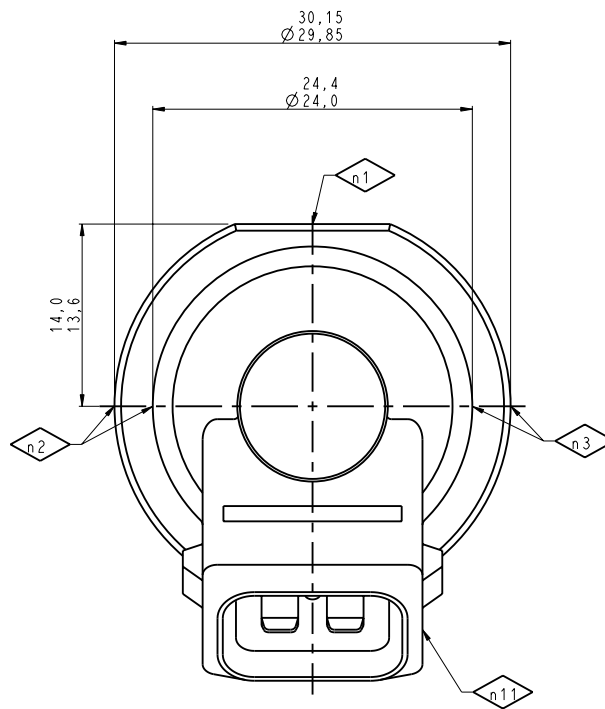
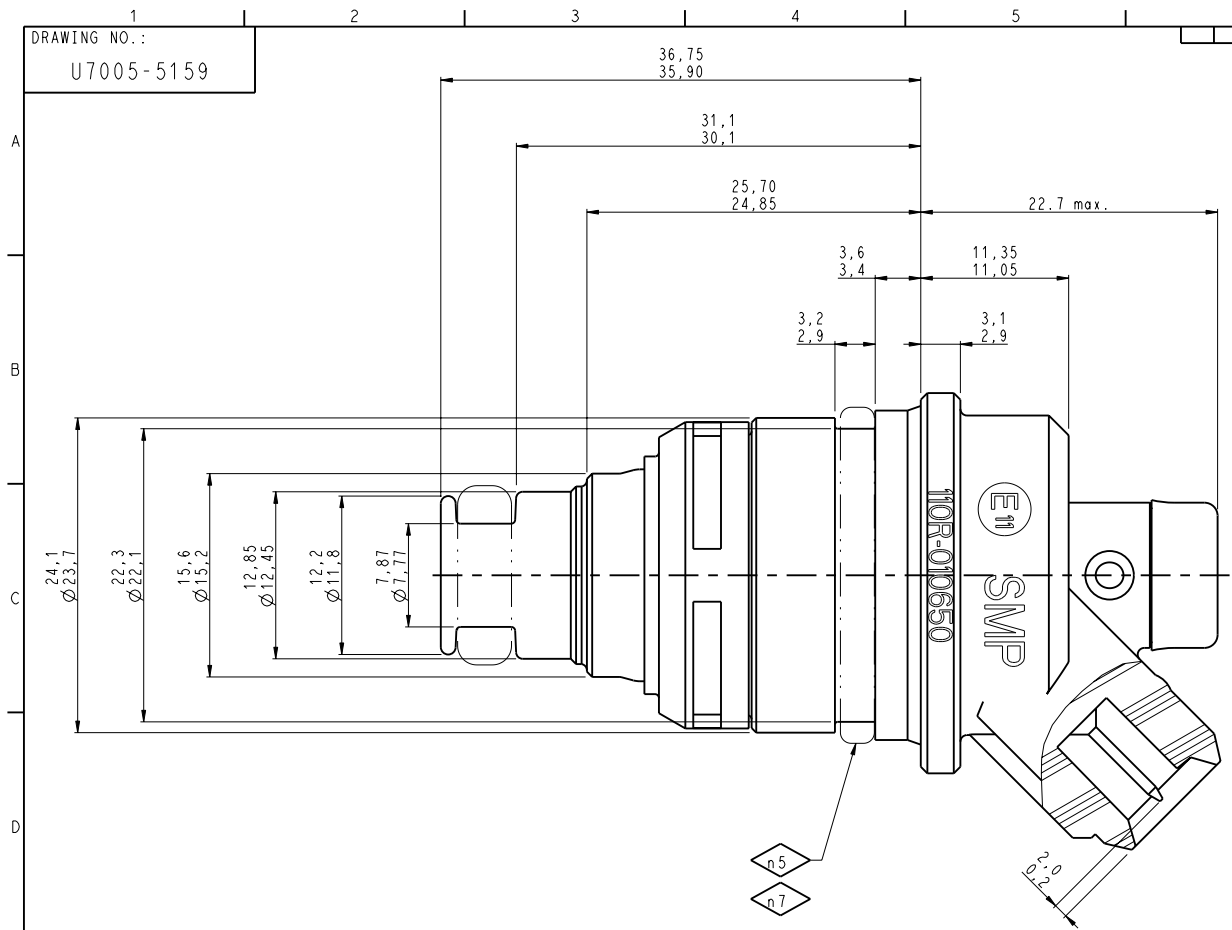


DRAWING NO.:
U7005-5159



- NOTES: n
- DATE OF MANUFACTURE. FIRST THREE CHARACTERS DENOTE DAY OF YEAR; FOURTH CHARACTER DENOTES YEAR; DATE CODE 1569 REPRESENTS 156th DAY OF 2009.
 - "SMP" TEXT AND ECE REGULATION #110 TYPE APPROVAL MARK: E11 110R-010650
 - "CUSTOMER ID" TEXT AND/OR IDENTIFICATION NUMBER.
 - THE COPYRIGHT NOTE IS WAIVED FOR THIS DRAWING.
 - O-RING SEAL PART NUMBER U9122-666L; 21.85 INNER DIAMETER BY 2.12 CROSS-SECTIONAL DIAMETER; MATERIAL: LOW TEMPERATURE FLUOROCARBON.
 - O-RING SEAL PART NUMBER U9122-213DA; 7.52 INNER DIAMETER BY 3.51 CROSS-SECTIONAL DIAMETER; MATERIAL: FLUOROSILICONE.
 - THE O-RINGS MUST BE LUBRICATED SPARINGLY WITH CLEAN MOTOR OIL BEFORE THE INJECTORS ARE INSTALLED. THE REST OF THE INJECTOR MUST BE FREE FROM LUBRICANT. O-RING REPLACEMENT KIT PK179 SOLD SEPARATELY.
 - OPERATE THE INJECTORS EXCLUSIVELY WITH VAPOR PHASE NATURAL GAS. FUEL SULFUR LEVELS MUST BE IN ACCORDANCE WITH ISO 15403-2:2006. UPSTREAM PARTICULATE FILTRATION IS REQUIRED WITH 95% EFFICIENCY OF 1 MICRON OR SMALLER.
 - SEE 'SMP Inc. PE CUSTOMER SPECIFICATION UPS-048 AND FUEL INJECTOR PRODUCT DATA SHEET' FOR PERFORMANCE INFORMATION.
 - SURFACE TEXTURE MUST BE MAINTAINED IN THIS ZONE.
 - MATING CONNECTOR: PACKARD P/N 12129140 OR EQUIVALENT.
 -
 - INJECTOR CAN BE MOUNTED AT ANY ANGLE FROM VERTICAL TO HORIZONTAL BUT NOT BELOW HORIZONTAL.
 - INJECTOR MASS APPROXIMATELY 75 GRAMS.

UNLESS OTHERWISE SPECIFIED: DIMENSIONS: MILLIMETERS		© STANDARD MOTOR PRODUCTS, INC. 1992-2015 ALL RIGHTS RESERVED. n4	
GENERAL TOLERANCES: LINEAR ± --- ANGULAR ± ---°		CONFIDENTIAL AND PROPRIETARY.	
SURFACE ROUGHNESS: -- ✓		SUPERSEDES: ----	
REMOVE SHARP EDGES: --		SIMILAR TO: U7005-5148	
ALL DIAMETERS:		REF DWG NO.: ----	
MATERIAL: ----	FORM: ----	DRAWN: D.R. GALLUP	DATE: 14-Jul-15
MATERIAL SPECIFICATION: ----		CHECKED: C. DEPALLE	DATE: 14-Jul-15
HEAT TREATMENT: ----		APPROVED: T. PARRISH	DATE: 14-Jul-15
FINISH: ----		RELEASE STATUS: PRODUCTION	
DRAWING, DIMENSIONING, AND TOLERANCING IN ACCORDANCE WITH SMP, INC. UPS-019.		 5150 PELHAM RD GREENVILLE, SC 29615 USA	
SCALE: 4:1	PROJECTION:		
PRODUCT ENGINEERING Pro/E GENERATED DRAWING		TITLE: OUTLINE DRAWING 2000 SERIES INJECTOR SIDE FEED GASEOUS FUELS	
MODEL: D.SFG.OUTLINE.7005-5159			
FORMAT: A1	ISSUE DATE: 20-Nov-15	ISSUE: 2	SHEET: 1/1 DRAWING NO.: U7005-5159