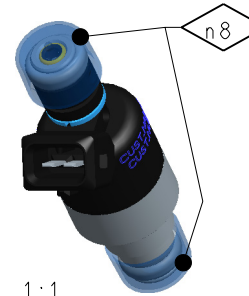
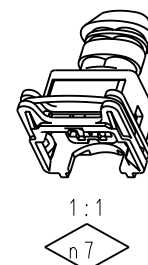
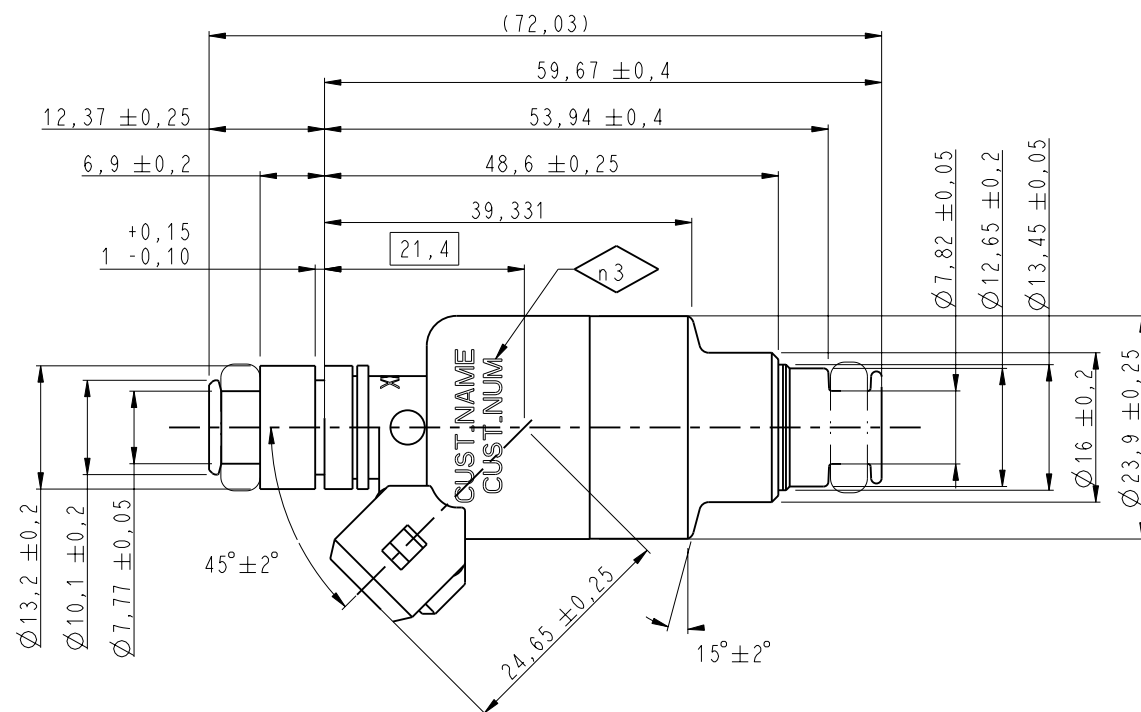
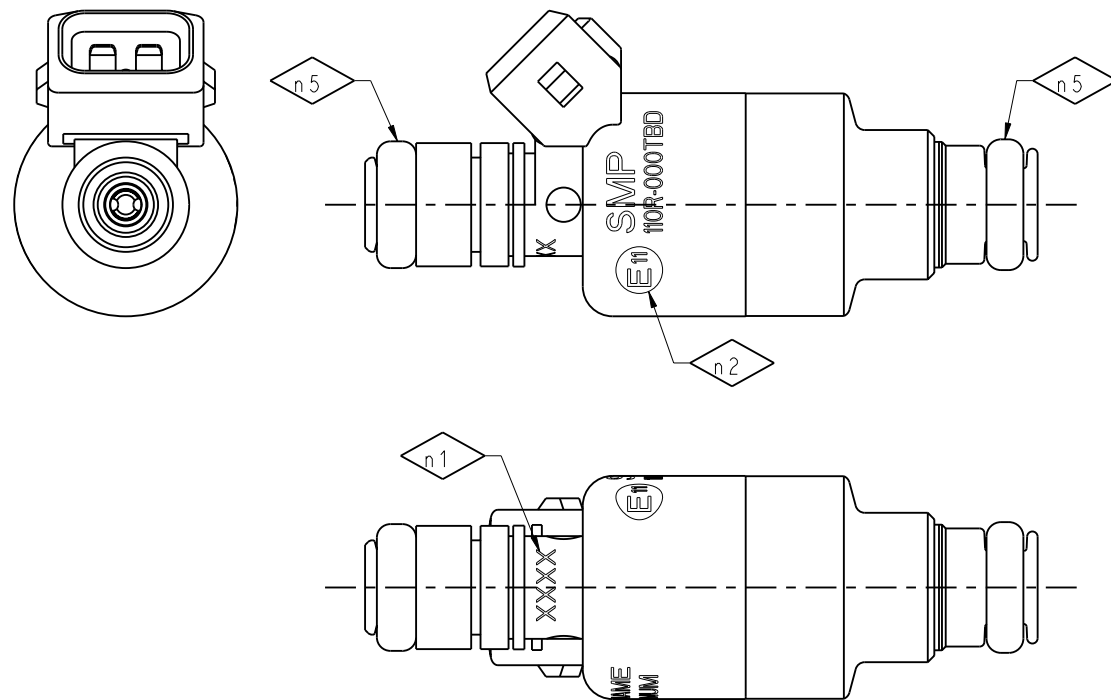


DRAWING NO.:
U7005-5156

NOTES: n

1. DATE OF MANUFACTURE. FIRST THREE CHARACTERS DENOTE DAY OF YEAR; FOURTH CHARACTER DENOTES YEAR; DATE CODE 1565 REPRESENTS 156th DAY OF 2015.
2. ONLY INJECTORS THAT HAVE RECEIVED APPROVAL WILL HAVE "SMP" AND ECE REGULATION #110 TYPE APPROVAL MARK: E11 110R-000TBD.
3. "CUSTOMER ID" TEXT AND/OR IDENTIFICATION NUMBER.
4. THE COPYRIGHT NOTE IS WAIVED FOR THIS DRAWING.
5. O-RING SEAL PART NUMBER U9122-213DA AT INLET: 7,52 INNER DIAMETER BY 3,51 CROSS-SECTIONAL DIAMETER; MATERIAL: FLUOROSILICONE. U9122-666DA AT OUTLET: 7,52 INNER DIAMETER BY 3,51 CROSS-SECTIONAL DIAMETER; MATERIAL: LOW TEMPERATURE FLUOROCARBON. THE O-RINGS MUST BE LUBRICATED SPARINGLY BEFORE THE INJECTORS ARE INSTALLED. THE REST OF THE INJECTOR MUST BE FREE FROM LUBRICANT. LUBRICANT SPECIFICATION TO BE MUTUALLY AGREED UPON BY SMP GREENVILLE AND THE CUSTOMER.
6. SEE 'SMP Inc. PE CUSTOMER SPECIFICATION UPS-048 AND GASOLINE INJECTOR PRODUCT DATA SHEET' FOR PERFORMANCE INFORMATION.
7. MATING CONNECTOR: TYCO ELECTRONICS C-963040-1 OR EQUIVALENT "JUNIOR POWER TIMER" SPLASH PROOF CONNECTOR ASSY WITH LOCK AND SEAL.
8. DUST CAP PART NUMBER U9122-327 AT BOTH ENDS.
9. MASS: APPROXIMATELY 75 GRAMS.



n6
n9

UNLESS OTHERWISE SPECIFIED: DIMENSIONS: MILLIMETERS GENERAL TOLERANCES: LINEAR ± 0,2 ANGULAR ± 2° SURFACE ROUGHNESS: 3,2√ REMOVE SHARP EDGES: 0,2 max. ALL DIAMETERS: $\text{Ø} \begin{matrix} \text{---} \\ \text{---} \end{matrix}$		© STANDARD MOTOR PRODUCTS, INC. 1988-2016 ALL RIGHTS RESERVED. n4 CONFIDENTIAL AND PROPRIETARY.	
MATERIAL: ----		SUPERSEDES: ----	
MATERIAL SPECIFICATION: ----		SIMILAR TO: ----	
HEAT TREATMENT: ----		REF DWG NO.: U7005-5128 & -5148	
FINISH: ----		DRAWN: D.R.GALLUP DATE: 27-May-15	
DRAWING, DIMENSIONING, AND TOLERANCING IN ACCORDANCE WITH SMP, INC. UPS-019.		CHECKED: ---- DATE: ----	
SCALE: 2:1		APPROVED: C.DEPALLE DATE: 01-Feb-16	
PROJECT ENGINEERING Pro/E GENERATED DRAWING		RELEASE STATUS: PRODUCTION	
MODEL: OUTLINE.NG12.LONG.7005-5156		TITLE: OUTLINE DRAWING GASEOUS FUEL INJECTOR TFG2	
FORMAT: A2	ISSUE DATE: 01-Feb-16	ISSUE: 2	SHEET: 1/1
DRAWING NO.: U7005-5156			