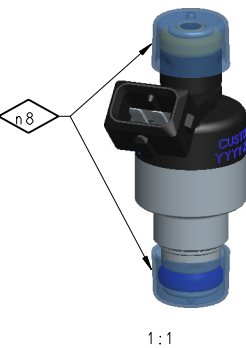
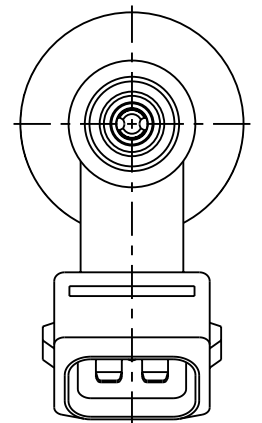
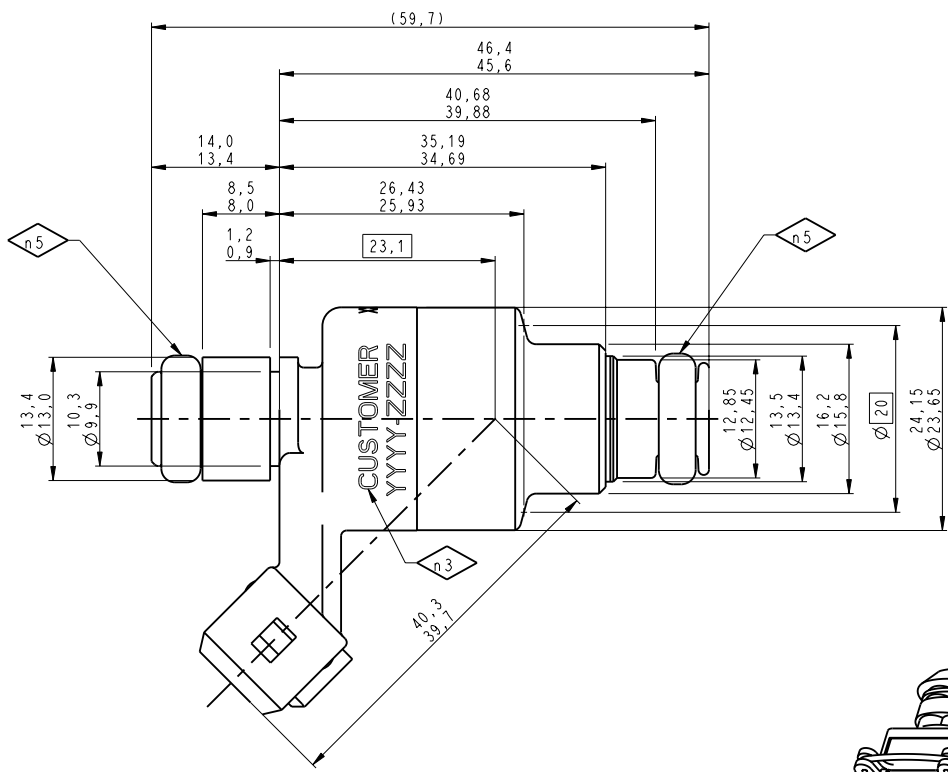
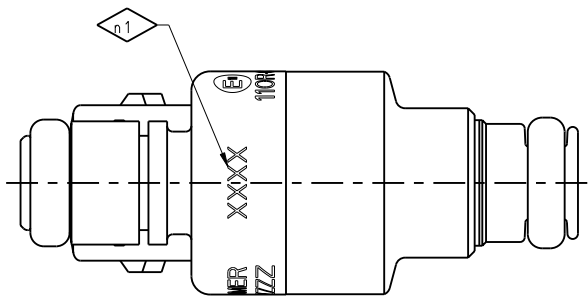
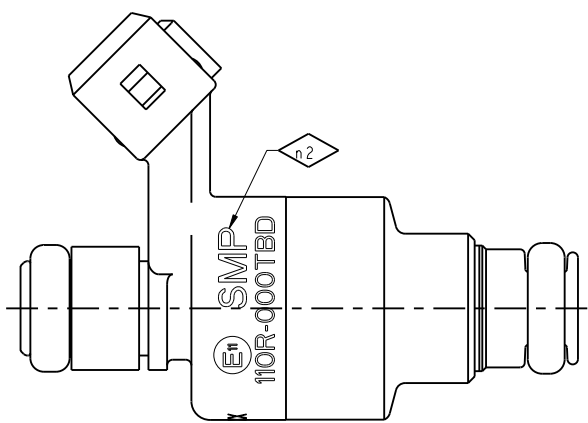



DRAWING NO.:
U7005-5157

NOTES: n

1. DATE OF MANUFACTURE. FIRST THREE CHARACTERS DENOTE DAY OF YEAR; FOURTH CHARACTER DENOTES YEAR; DATE CODE 1565 REPRESENTS 156th DAY OF 2015.
2. ONLY INJECTORS THAT HAVE RECEIVED APPROVAL WILL HAVE "SMP" AND ECE REGULATION #110 TYPE APPROVAL MARK: E11 110R-0007BD.
3. "CUSTOMER ID" TEXT AND/OR IDENTIFICATION NUMBER.
4. THE COPYRIGHT NOTE IS WAIVED FOR THIS DRAWING.
5. O-RING SEAL PART NUMBER U9122-213DA AT INLET: 7,52 INNER DIAMETER BY 3,51 CROSS-SECTIONAL DIAMETER; MATERIAL: FLUOROSILICONE. U9122-666DA AT OUTLET: 7,52 INNER DIAMETER BY 3,51 CROSS-SECTIONAL DIAMETER; MATERIAL: LOW TEMPERATURE FLUOROCARBON. THE O-RINGS MUST BE LUBRICATED SPARINGLY BEFORE THE INJECTORS ARE INSTALLED. THE REST OF THE INJECTOR MUST BE FREE FROM LUBRICANT. LUBRICANT SPECIFICATION TO BE MUTUALLY AGREED UPON BY SMP GREENVILLE AND THE CUSTOMER.
6. SEE 'SMP Inc. PE CUSTOMER SPECIFICATION UPS-048 AND GASOLINE INJECTOR PRODUCT DATA SHEET' FOR PERFORMANCE INFORMATION.
7. MATING CONNECTOR: TYCO ELECTRONICS C-963040-1 OR EQUIVALENT "JUNIOR POWER TIMER" SPLASH PROOF CONNECTOR ASSY WITH LOCK AND SEAL.
8. DUST CAP PART NUMBER U9122-327 AT BOTH ENDS.
9. MASS: APPROXIMATELY 75 GRAMS.



SYMBOL	SPECIAL CHARACTERISTIC DESCRIPTION
F	FIT AND FUNCTION
ST	STATISTICAL PROCESS CONTROL (SPC)
S	SAFETY OR REGULATORY

UNLESS OTHERWISE SPECIFIED: DIMENSIONS: MILLIMETERS GENERAL TOLERANCES: LINEAR ± ---- ANGULAR ± ----° SURFACE ROUGHNESS: -- ✓ REMOVE SHARP EDGES: ---- ALL DIAMETERS: ⌀ - -		© STANDARD MOTOR PRODUCTS, INC. 2015-2016 ALL RIGHTS RESERVED. n4 CONFIDENTIAL AND PROPRIETARY. SUPERSEDES: ---- SIMILAR TO: ---- REF DWG NO.: ----	
MATERIAL: ----	FORM: ----	DRAWN: D.R.GALLUP	DATE: 02-Jul-15
MATERIAL SPECIFICATION: ----	CHECKED: ----	DATE: ----	DATE: ----
HEAT TREATMENT: ----	APPROVED: C.DEPALLE	DATE: 01-Feb-16	
FINISH: ----	RELEASE STATUS: PRODUCTION		
DRAWING, DIMENSIONING, AND TOLERANCING IN ACCORDANCE WITH SMP, INC. UPS-019.		 5150 PELHAM RD GREENVILLE, SC 29615 USA	
SCALE: 2:1	PROJECTION: ⊕		
PRODUCT ENGINEERING Pro/E GENERATED DRAWING MODEL: OUTLINE.NG12.SHORT.7005-5157		TITLE: OUTLINE DRAWING TOP FEED GASEOUS INJECTOR 3 (STANDARD LENGTH)	
FORMAT: A2	ISSUE DATE: 01-Feb-16	ISSUE: 3	SHEET: 1/1 DRAWING NO.: U7005-5157